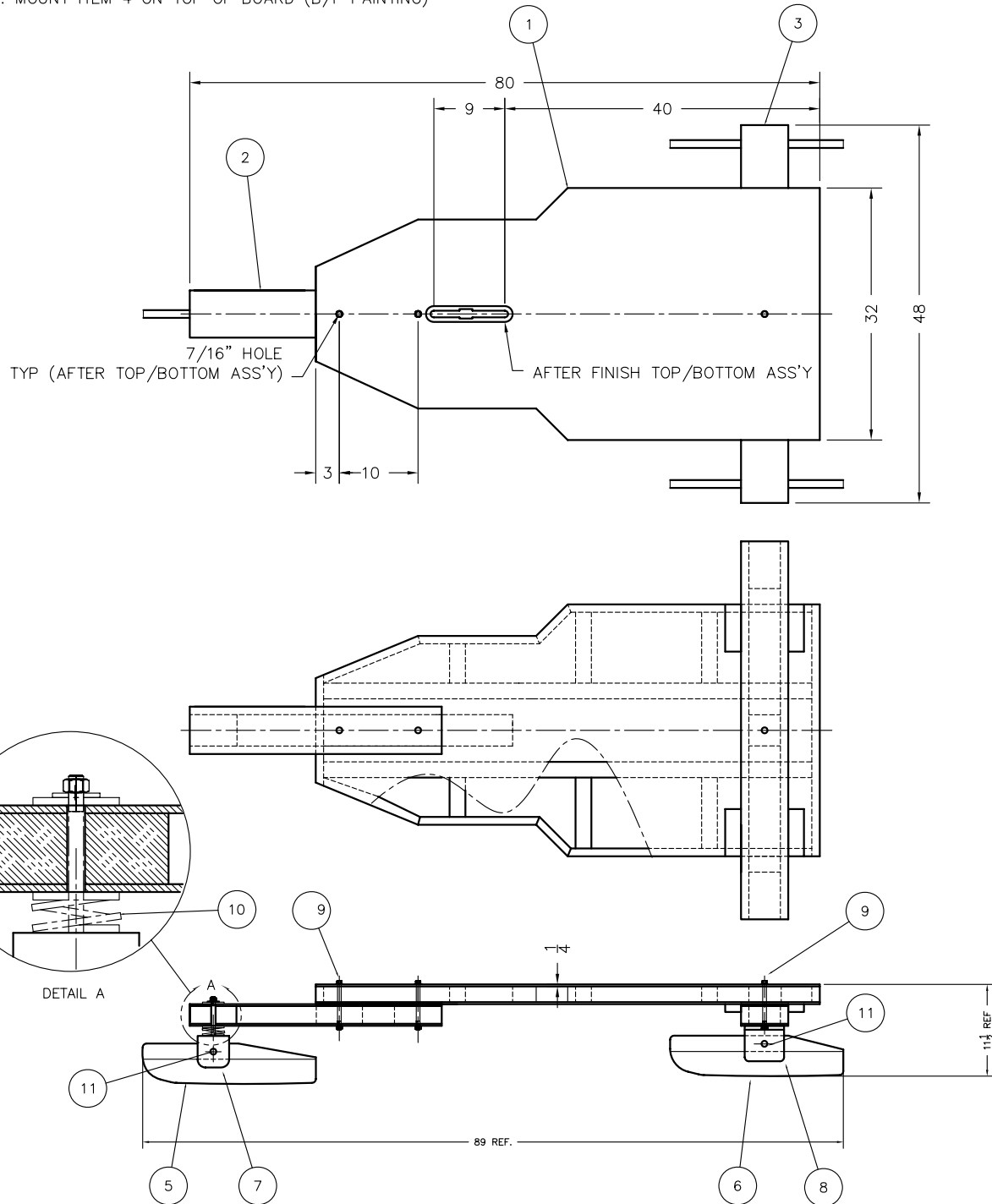


# ICE BOARD, GENERAL VIEW AND PARTS ( DWG 1)

Parts List							
ITEM	QTY	DESCRIPTION	MATERIAL	ITEM	QTY	DESCRIPTION	MATERIAL
1	1	MAIN BODY	WOOD	7	1	FRONT BLADE BRACKET	STEEL
2	1	FRONT RUNNING BOARD	WOOD/STEEL	8	2	BACK BLADE BRACKET	
3	1	BACK RUNNING BOARD	WOOD/STEEL	9	5	1/2" BOLT X 5 1/2" LG. C/W NUT AND WASHER	PALTED /ST.ST.
4	1	MAST FOOT	PVC/CPVC				
5	1	FRONT BLADE	STEEL	10	1	SPRING x 2" LG. FOR ITEM 7	STEEL
6	2	BACK BLADE	STEEL	11	3	1/2" BOLT X 5" LG. C/W NUT LOCK WASHERND LOCK WASHER	PLATED / ST.ST.

**NOTE:**

1. MATERIALS ARE FOR REF. ONLY.
2. MORE DETAILS ON DRAWING No.2
3. ANTI SLIP COATING ON TOP, ADVISED.  
USE STRIPS OF SAND PAPAER AND GLUE ON TOP.
4. PAINT UNIT WITH EPOXY BASED COLOR AND APPLY DESIGN.
5. MOUNT ITEM 4 ON TOP OF BOARD (B/F PAINTING)

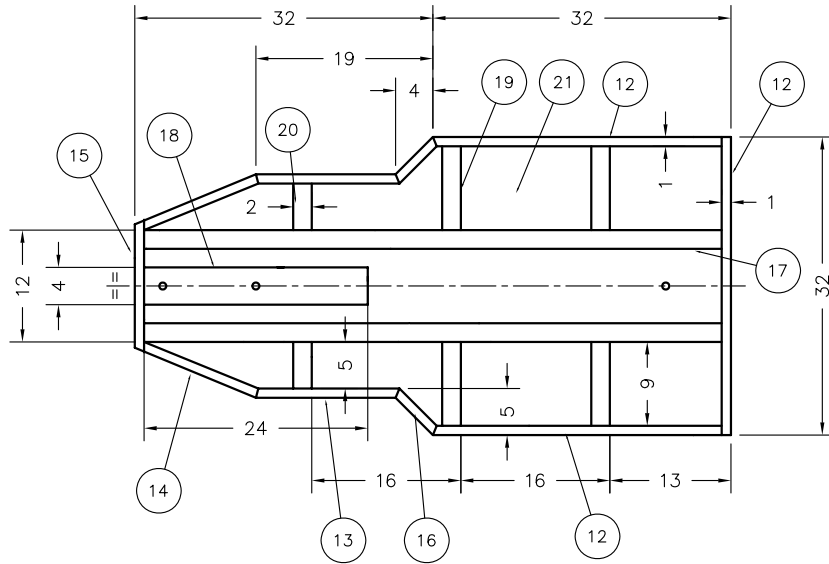


# ICE BOARD, PARTS DETAILS ( DWG 2A)

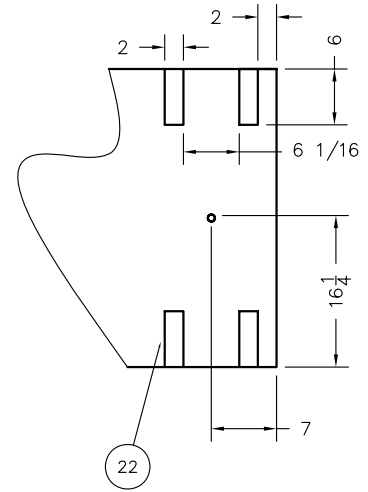
**NOTE:**

1. BEFORE TOP PLATE ATTACHED SEE ITEM 1 (BOTTO/END)  
ASS'Y ITEM 1 TOP AND BOTTOM PLATE C/W INSIDE SUPPORTS (GLUE / NAIL)
2. GLUE SUPPORTS AND SIDES FOR ITEM 2 AND 3 BEFORE BOTH PLATES ASS'Y
3. ITEM 5 , GLUE WOOD PANELS TO BOTH SIDES
4. DRILL HOLES FOR ITEM 2 AND 3 AT ASS'Y AND COORDINATE WITH ITEM 1
5. REMOVE SHARP CORNERS
6. FOR ITEM 5 AND 6 BOTOM PART TO BE CURVED REF. 250 R. DO NOT KEEP STRIGHT

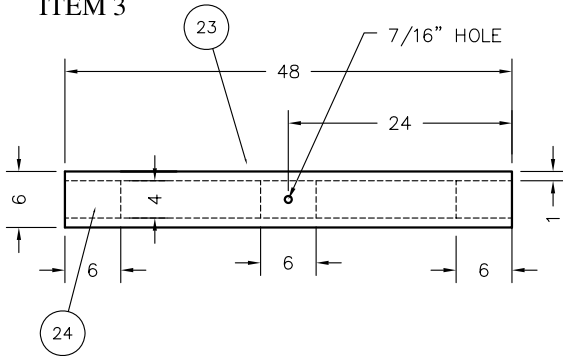
**ITEM 1**



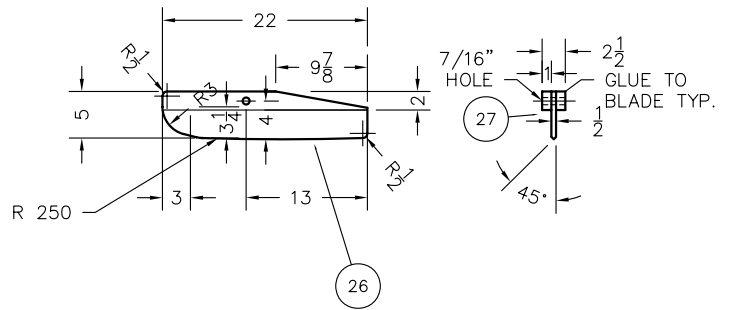
**ITEM 1 (BOTTOM/END)**



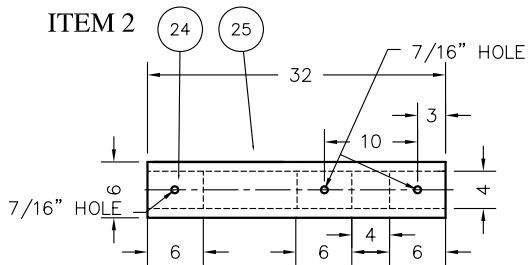
**ITEM 3**



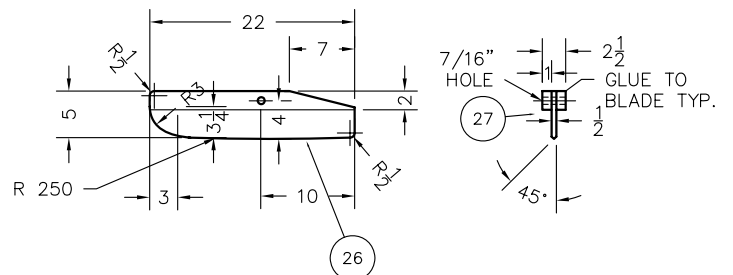
**ITEM 5**



**ITEM 2**



**ITEM 6**



# ICE BOARD, PARTS DETAILS ( DWG 2B)

Parts List			
ITEM	QTY	DESCRIPTION	MATERIAL
12	3	2"x1" x 32"LG SIDE	WOOD
13	2	2" x 1" x 16" MAX. LG SIDE	WOOD
14	2	2" x 1" x 14" MAX. LG SIDE	WOOD
15	1	2" x 1" x 13 1/2" LG. SIDE	WOOD
16	2	2" x 1" x 6" MIN. LG. SIDE	WOOD
17	2	2" x 1" x 62" LG. SUPPORT	WOOD
18	1	4" x 1" x 24" LG SUPPORT	WOOD
19	4	2" x 1" x 9" LG. SUPPORT	WOOD
20	1	2" x 1" x 5" LG. SUPPORT	2
21	2	48" x 96" x 1/4" (OR 1/2") THK PLATE / TOP, BOTTOM	WOOD
22	4	2" x 1/2" x 6" LG STOPERS	WOOD
23	2	2" x 1" x 48" LG. SIDE	WOOD
24	6	6" x 2" x 6" LG SUPPORT	WOOD
25	2	2" x 1" x 32" LG. SIDE	WOOD
26	3	22" x 5" x 1/2" THK BLADE	MILD / ST.ST. STEEL
27	4	2" x 1" x 22" LG.SIDE PLATE	PVDF. ALLUM, WOOD

**ITEM 7 AND 8 T.B.A SHORTLY**